

SAFETY INFORMATION

Please read and understand this entire manual before attempting to assemble, install or operate the product.

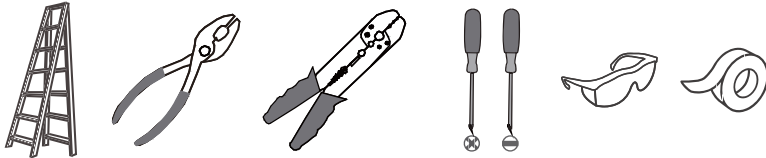
WARNING

- RISK OF ELECTRIC SHOCK - Before beginning installation, turn off electricity at the circuit breaker box or the main fuse box.

CAUTION

- For your safety, read instructions completely before beginning installation.
- If in doubt about electrical installation, consult a licensed electrician.

TOOLS REQUIRED



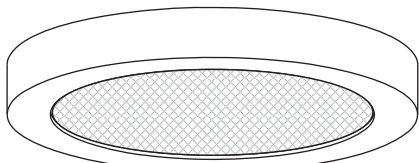
Rating	120Vac, 60Hz	
	Model No.	Wattage
	OSTC1708EK	12W
	OSTA1708BRG	12W

CARE AND MAINTENANCE

- Wipe clean using soft, dry cloth or static duster. Always avoid using harsh chemicals and abrasives to clean fixture as they may damage the finish.

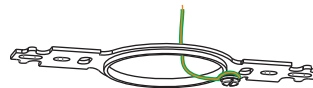
If you need further assistance call Quozel Customer Care at 1-800-645-3184 (9:00am - 5:00pm EST), or visit us on-line at www.quozel.com.

PACKAGE CONTENTS

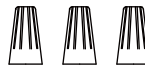


A Fixture Body
x 1

MOUNTING HARDWARE



AA Mounting Bracket
x 1



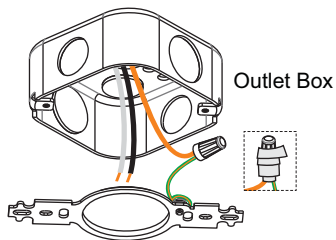
BB Wire Connector
x 3



CC Outlet Box Screw
x 2

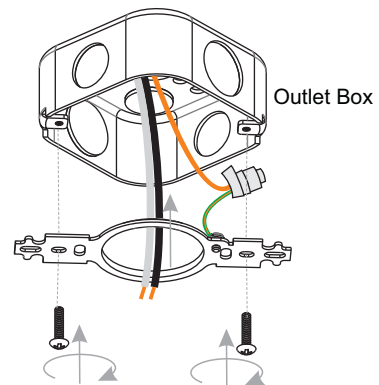
INSTALLATION

1 Connect Ground Wire



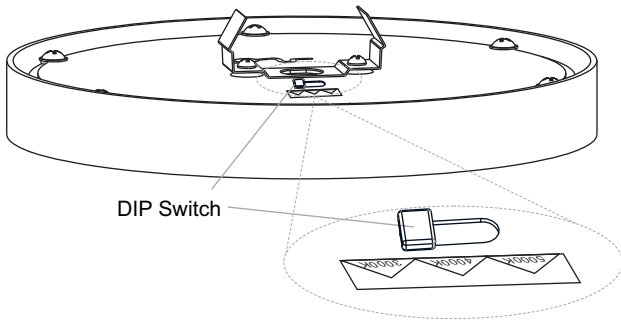
Ground wire from mounting bracket
Green ground screw
Ground wire from supply

2 Install Mounting Bracket



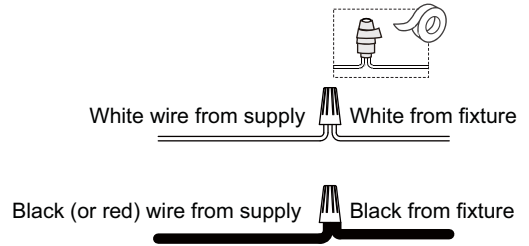
INSTALLATION

3 Adjust Color Temperature

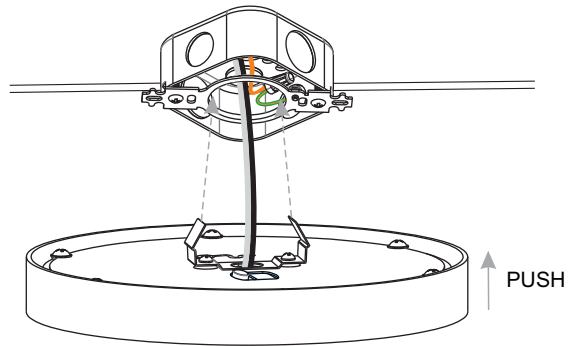


To adjust the color temperature among 3000K-4000K-5000K by using the DIP switch.

4 Wiring



5 Install Fixture Body



Your installation is now complete! Restore electricity and save this sheet for future reference.

MAINTENANCE - HOW TO REMOVE THE FIXTURE BODY AFTER ASSEMBLY.

